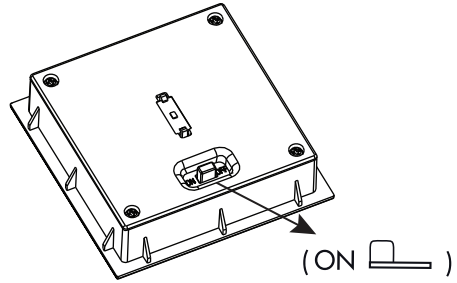


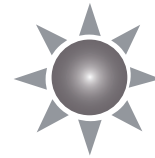
Art.no 482-56

FIRST USE

STEP 1.



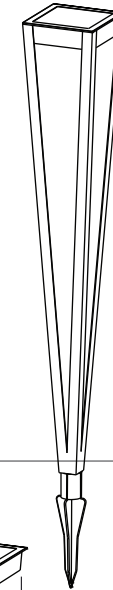
STEP 2.



( ON [switch icon] )

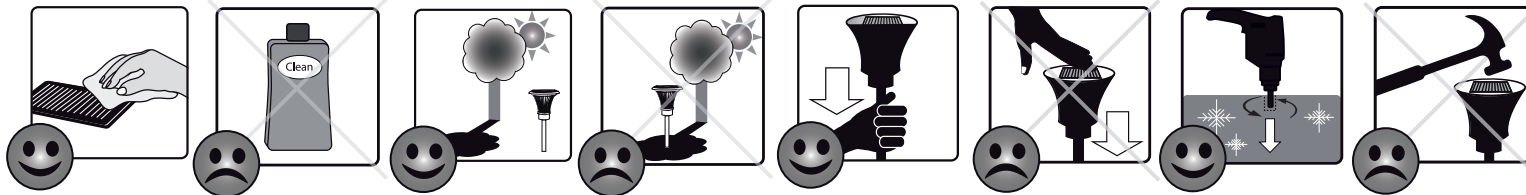
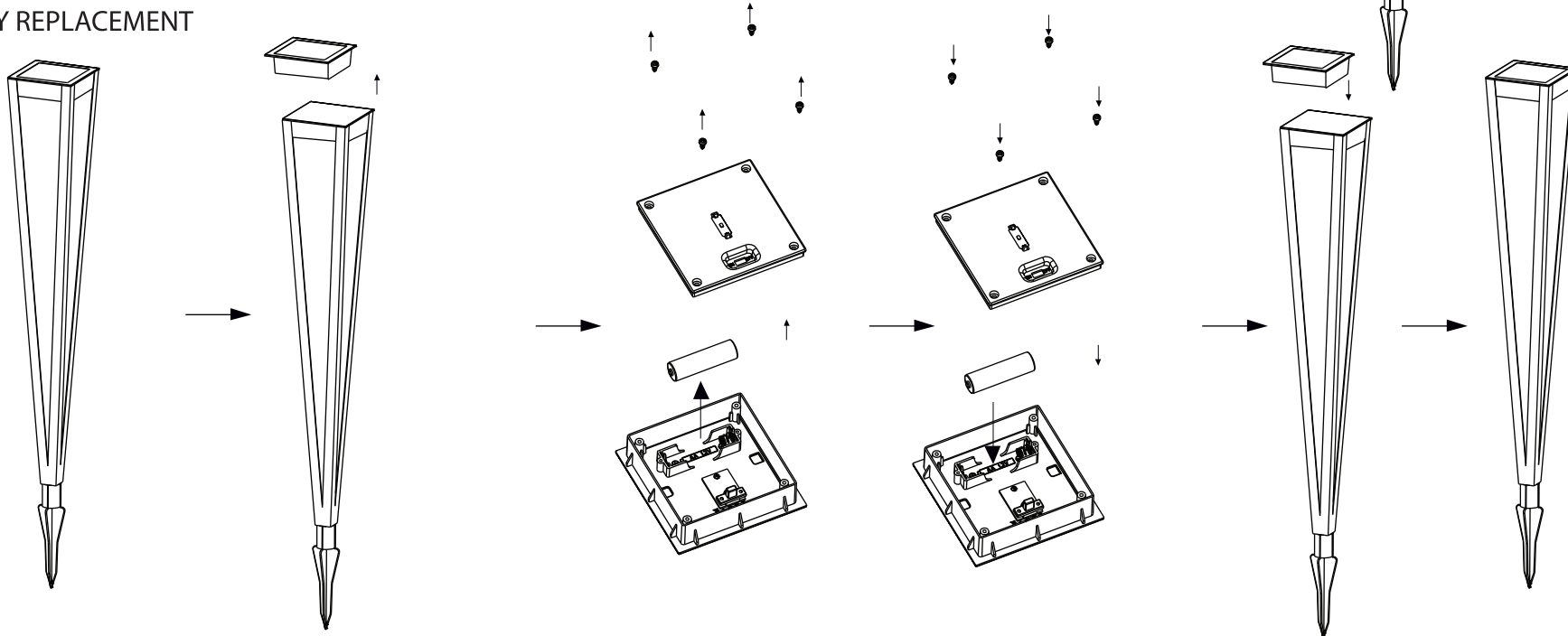


( OFF [switch icon] )



Ready after  
36 h in the sun

BATTERY REPLACEMENT



**STAR**<sup>®</sup>  
TRADING  
STAR STREET 1  
512 50 SVENLJUNGA  
SWEDEN  
[www.startrading.com](http://www.startrading.com)