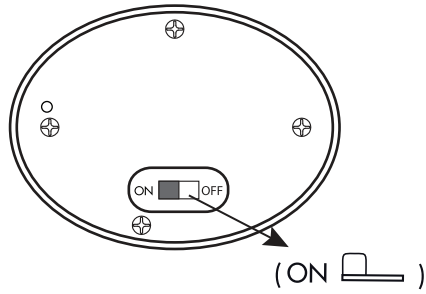


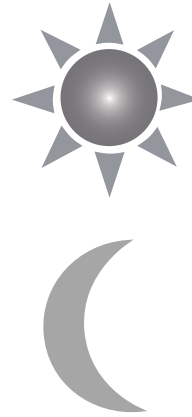
Art No: 480-75

FIRST USE

STEP 1.

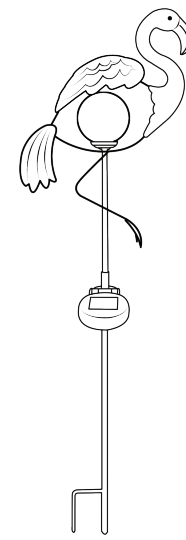


STEP 2.



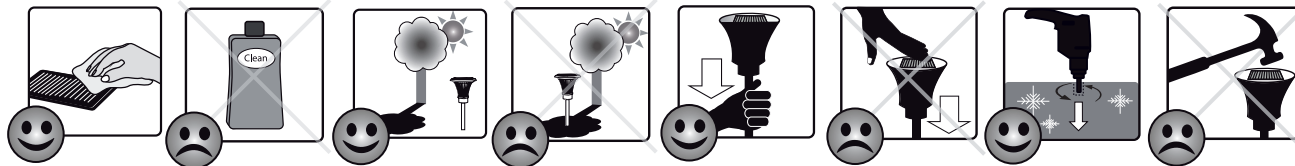
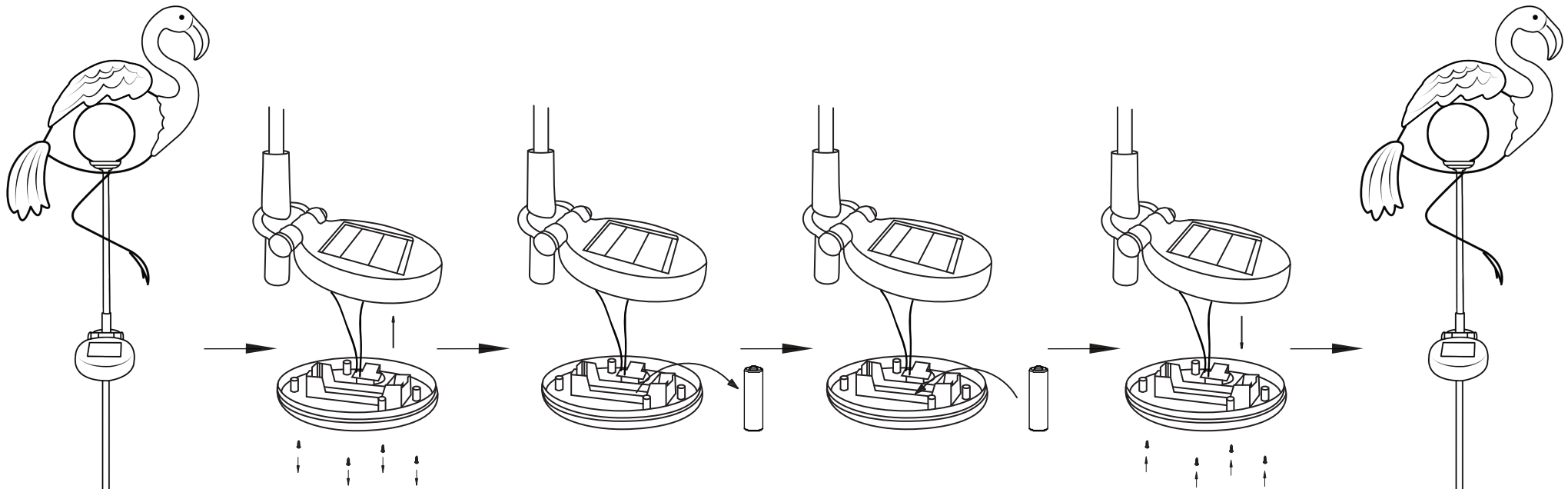
(ON [switch icon])

(OFF [switch icon])



Ready after
36 h in the sun

BATTERY REPLACEMENT



STAR

TRADING

STAR STREET 1
512 50 SVENLJUNGA
SWEDEN

www.startrading.com