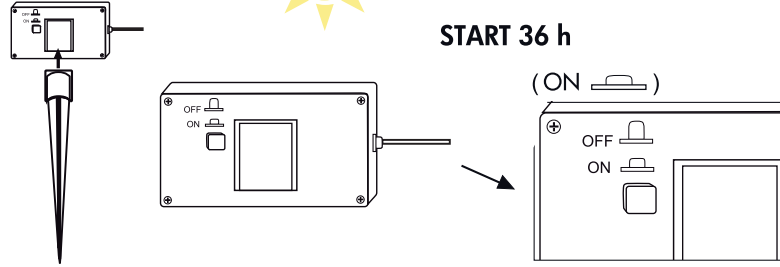


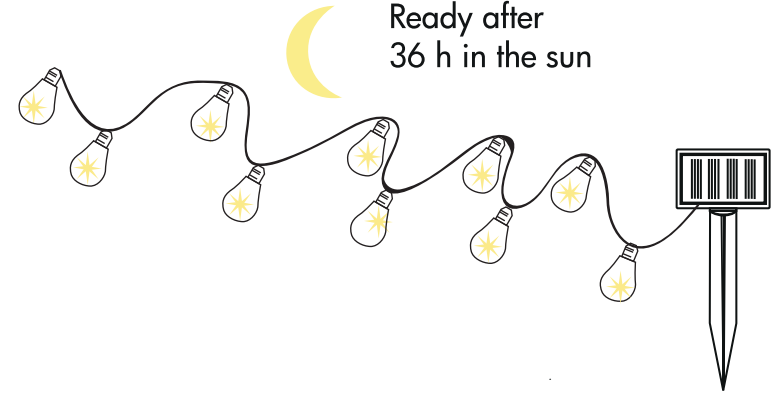
Art.no 480-10/11

FIRST USE

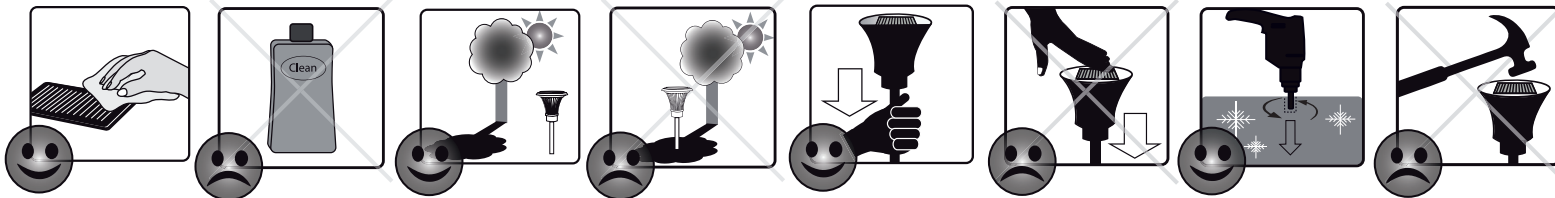
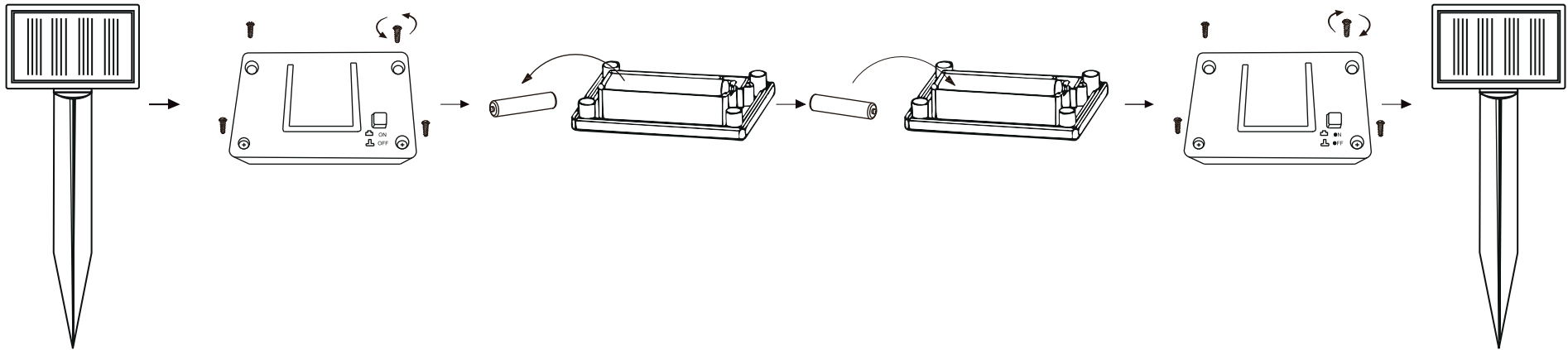
STEP 1.



STEP 2.



BATTERY REPLACEMENT



STAR
TRADING

STAR STREET 1
512 50 SVENLJUNGA
SWEDEN
www.startrading.com