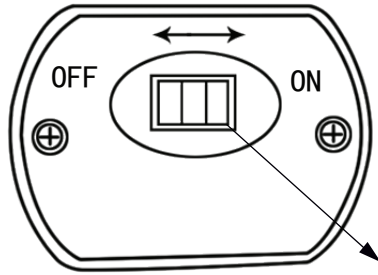



Art.no 481-99-46

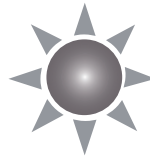
FIRST USE

STEP 1.



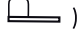
( ON  )

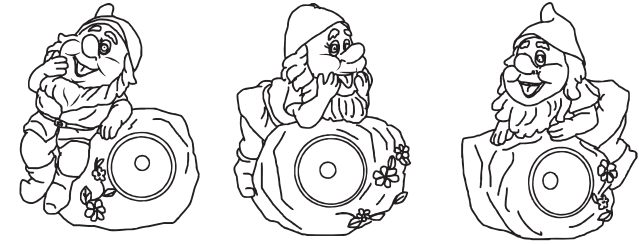
STEP 2.



( ON  )

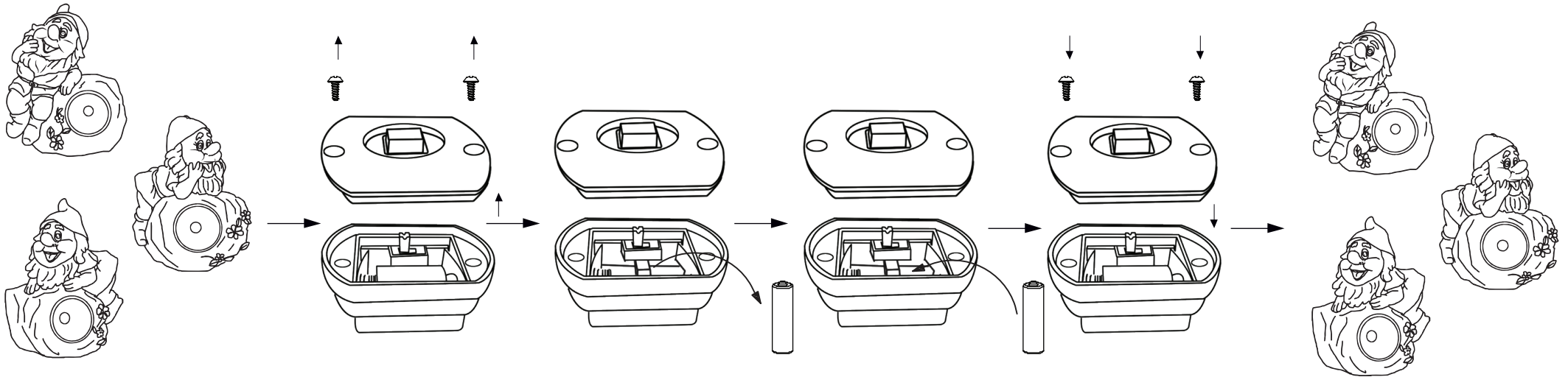


( OFF  )



Ready after  
36 h in the sun

BATTERY REPLACEMENT



**STAR**<sup>®</sup>  
TRADING  
STAR STREET 1  
512 50 SVENLJUNGA  
SWEDEN  
[www.startrading.com](http://www.startrading.com)