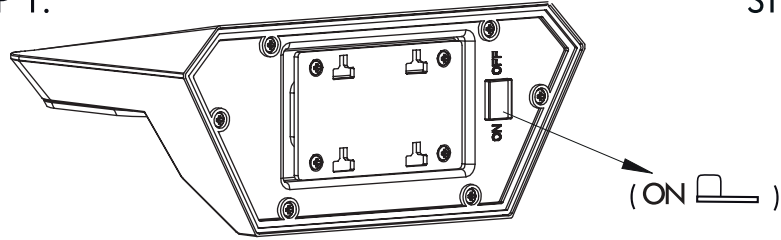


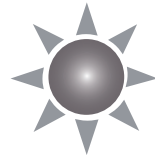
# Art.no 480-79

## FIRST USE

STEP 1.




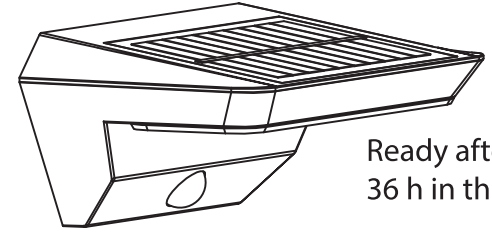
STEP 2.



(ON )

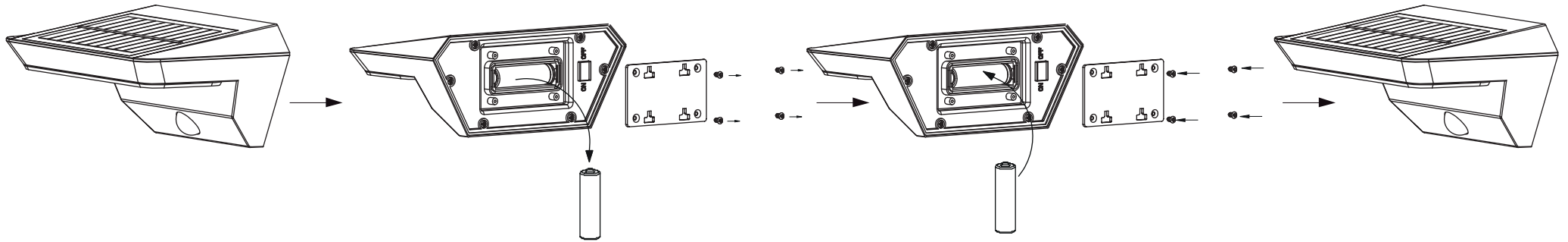


(OFF )



Ready after  
36 h in the sun

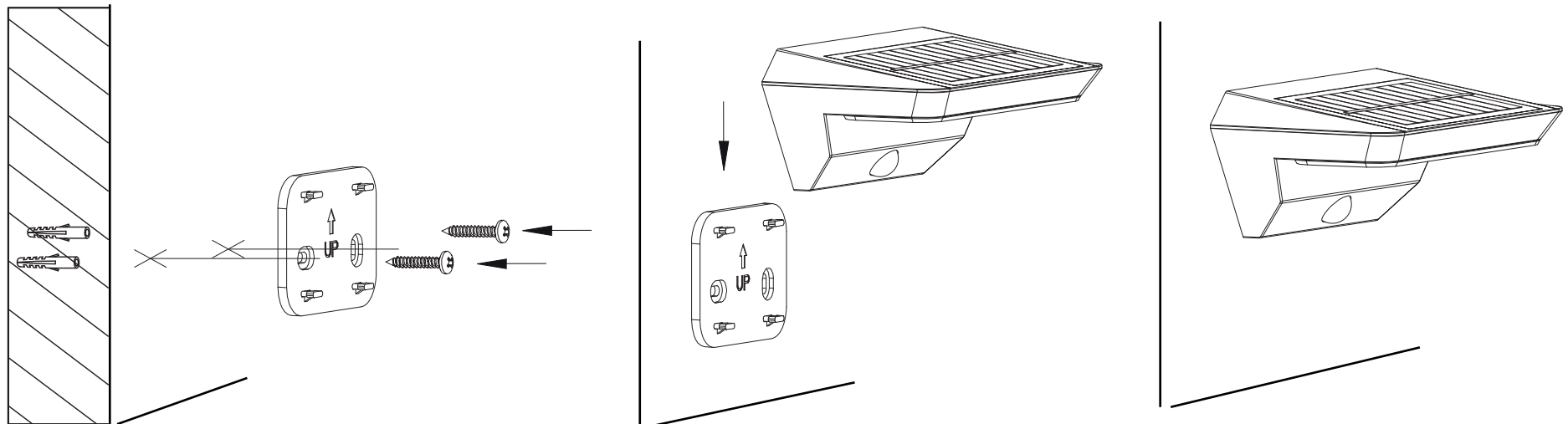
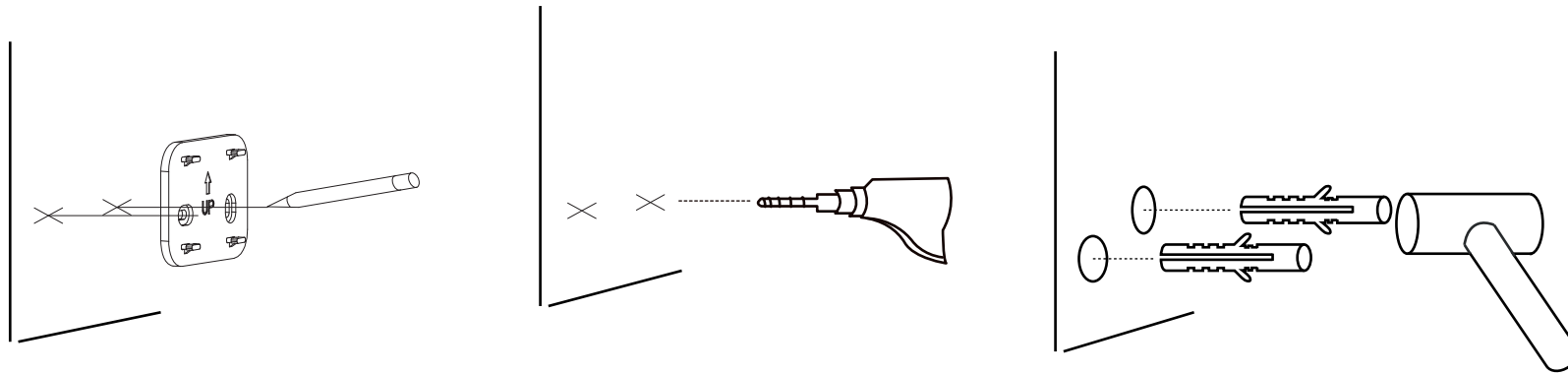
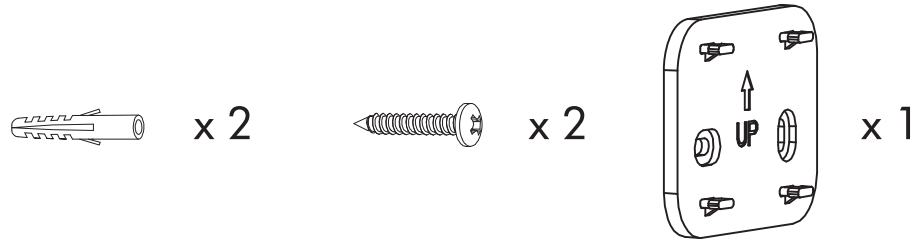
## BATTERY REPLACEMENT



**STAR**<sup>®</sup>  
TRADING  
STAR STREET 1  
512 50 SVENJUNGA  
SWEDEN  
[www.startrading.com](http://www.startrading.com)

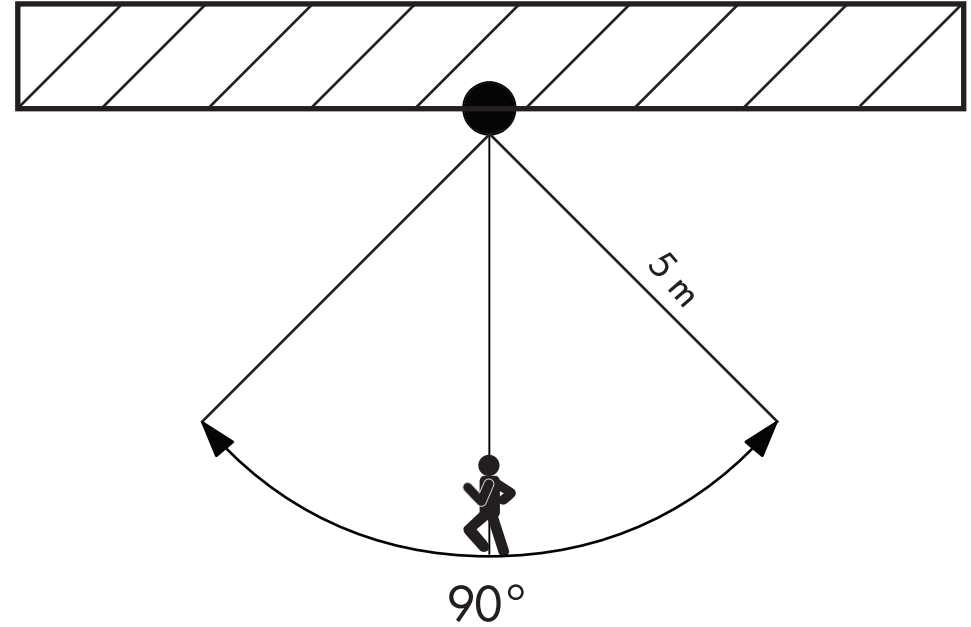
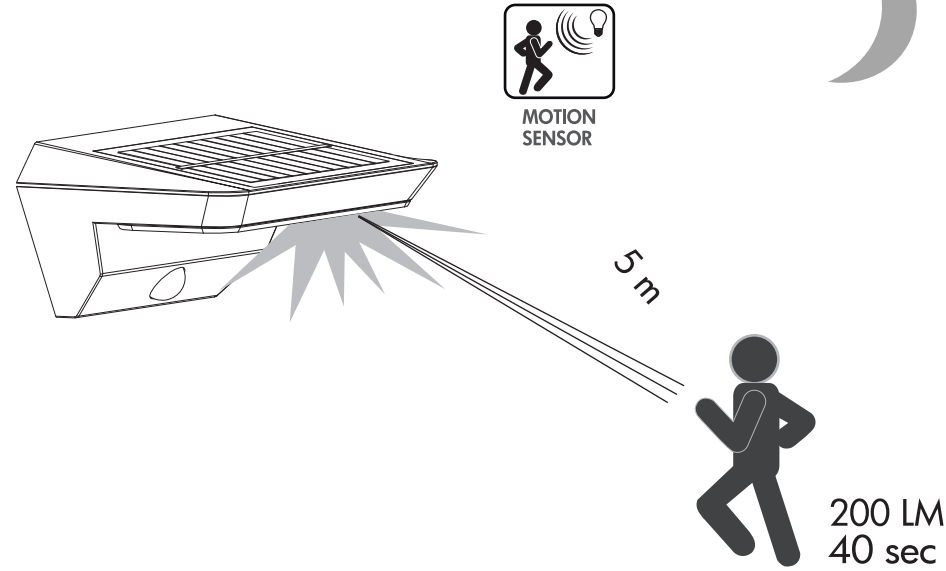
Art.no 480-79  
INSTALLATION

**STAR**<sup>®</sup>  
TRADING  
STAR STREET 1  
512 50 SVENLJUNGA  
SWEDEN  
[www.startrading.com](http://www.startrading.com)



Art.no 480-79

15 LUMEN CONSTANT LIGHT  
MOTION SENSOR 200 LUMEN FOR 40 SEK



**STAR**<sup>®</sup>  
TRADING  
STAR STREET 1  
512 50 SVENJUNGA  
SWEDEN  
[www.startrading.com](http://www.startrading.com)