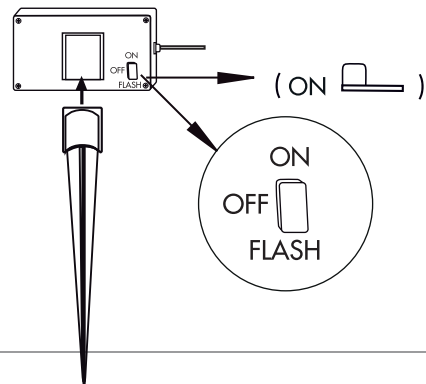


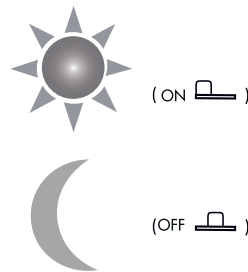
Art.no 480-10/11

### FIRST USE

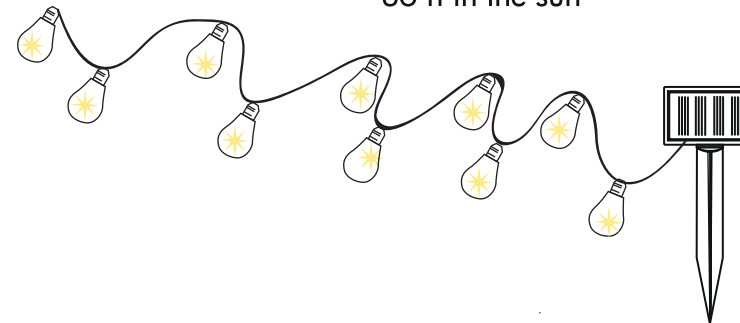
#### STEP 1.



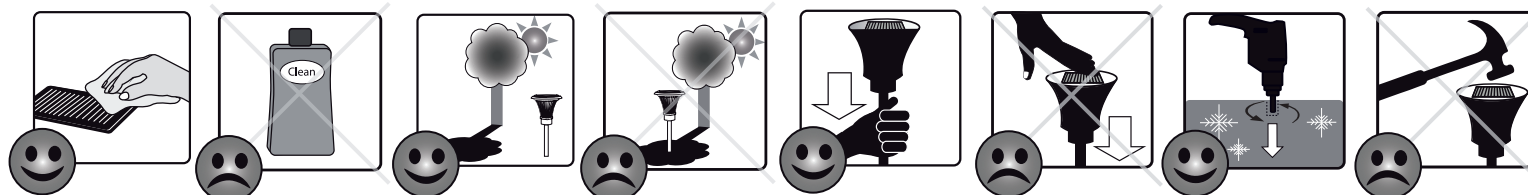
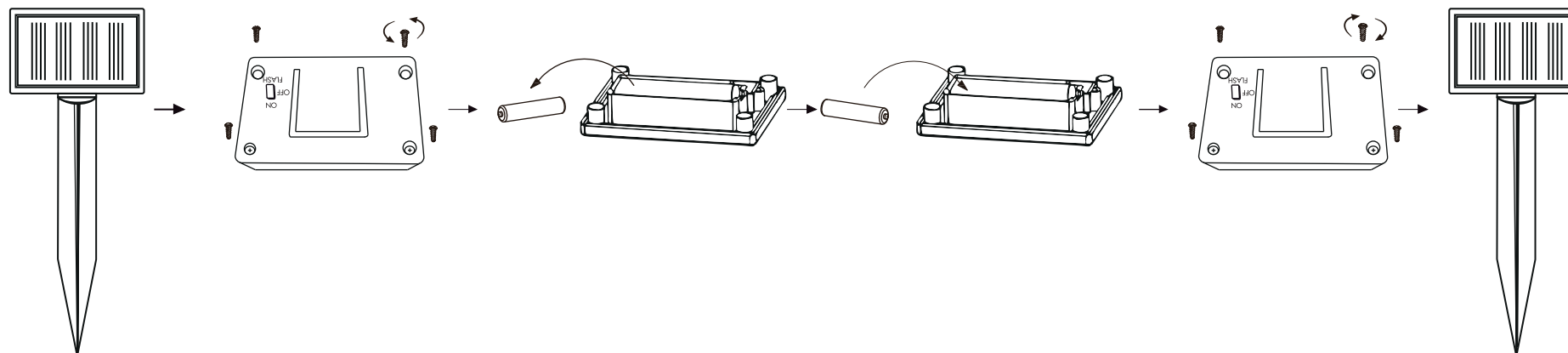
#### STEP 2.



Ready after  
36 h in the sun



### BATTERY REPLACEMENT



**STAR**  
TRADING

STAR STREET 1  
512 50 SVENLJUNGA  
SWEDEN  
[www.startrading.com](http://www.startrading.com)