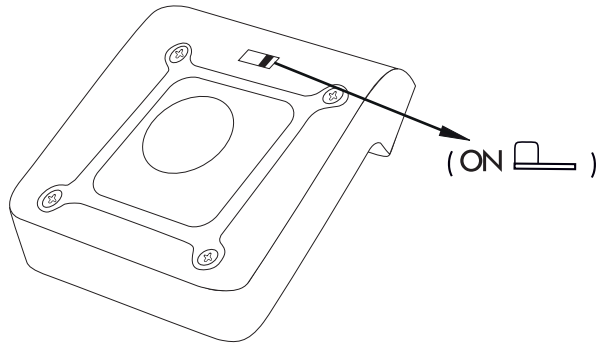


Art.no 480-78

FIRST USE


STEP 1.

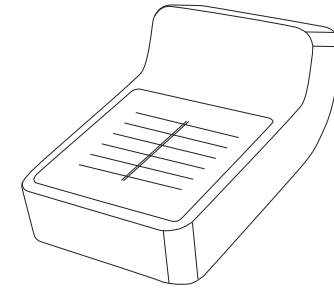


STEP 2.



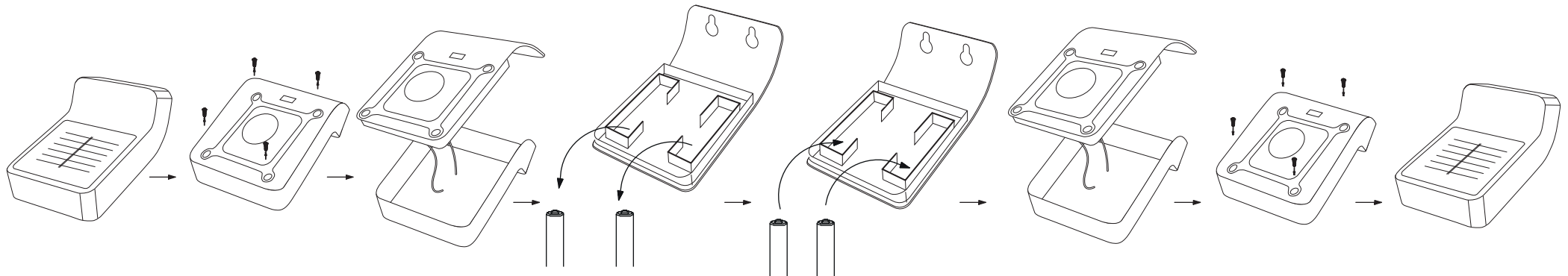
(ON )

(OFF )



Ready after
36 h in the sun

BATTERY REPLACEMENT



STAR[®]
TRADING
STAR STREET 1
512 50 SVENJUNGA
SWEDEN
www.startrading.com

Art.no 480-78

INSTALLATION

