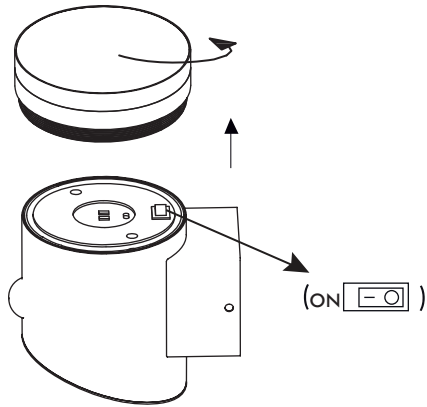


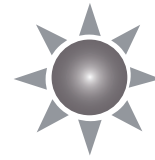
Art.no 481-98

FIRST USE

STEP 1.



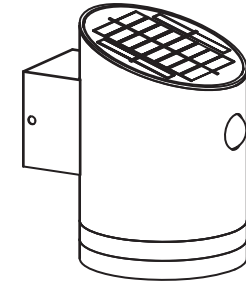
STEP 2.



(ON )

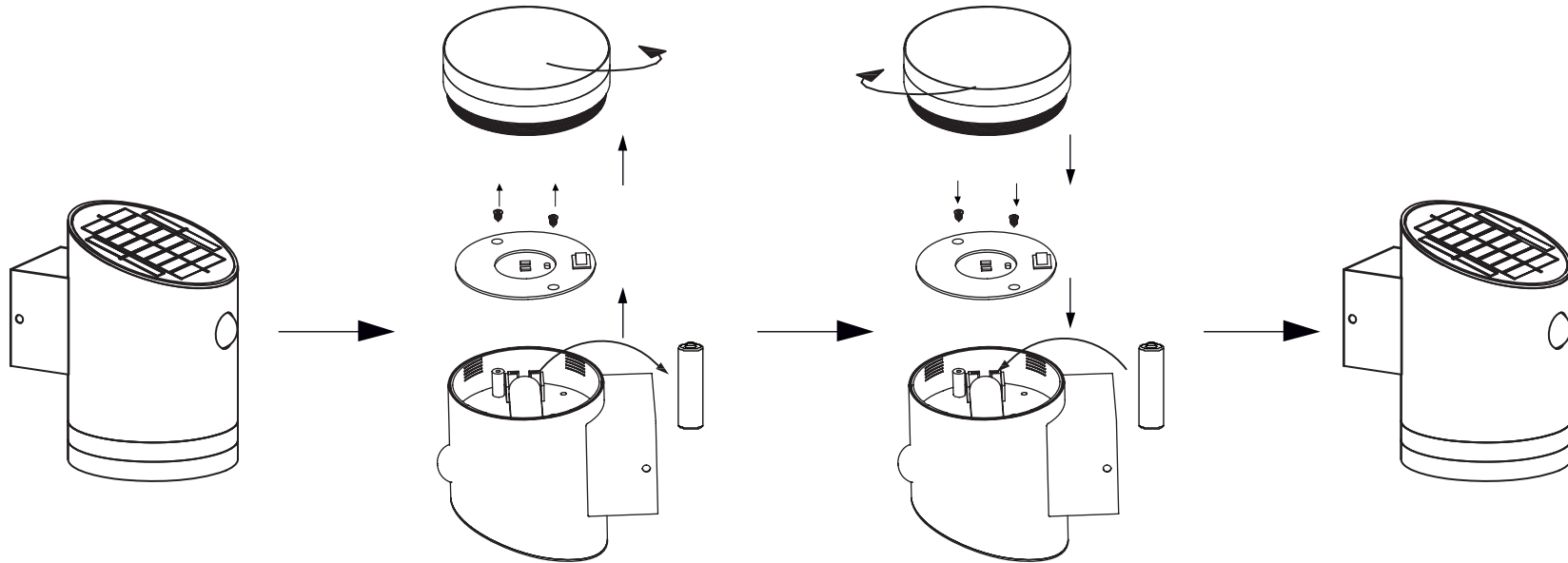


() OFF)

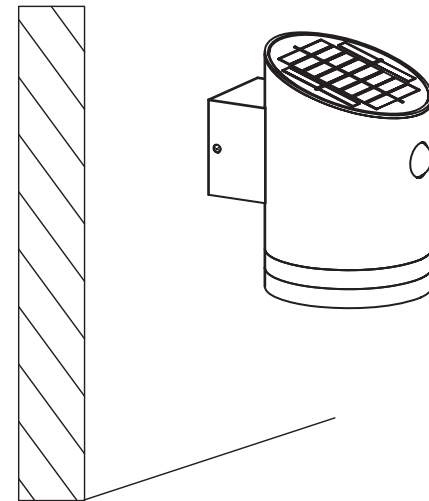
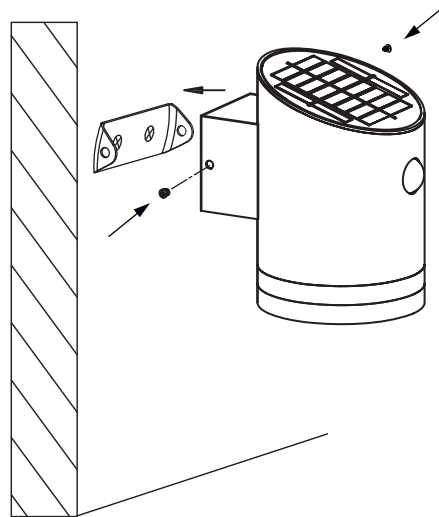
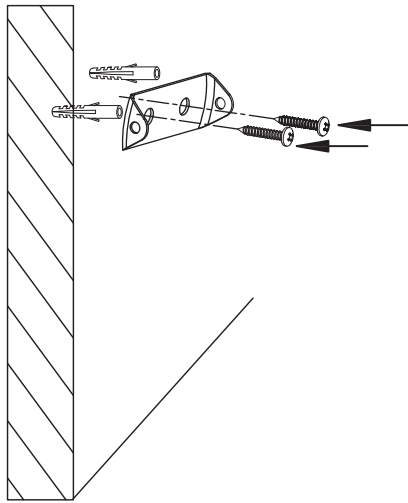
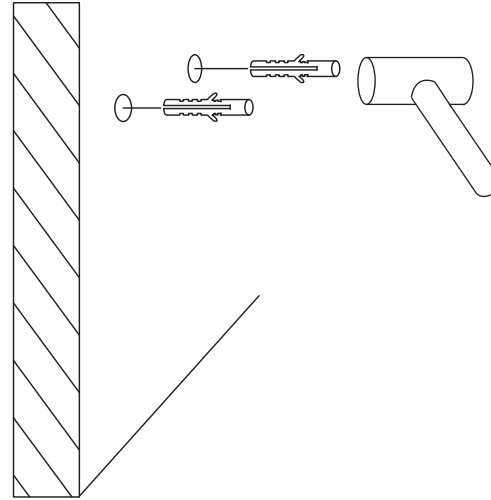
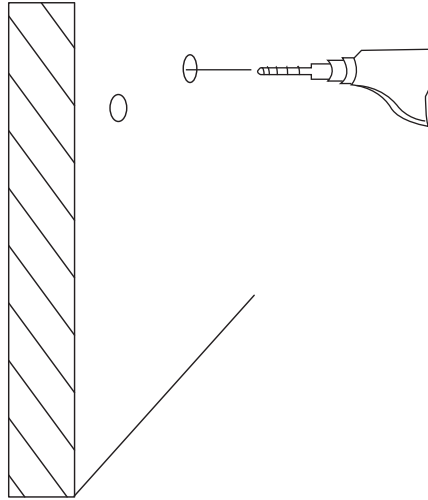
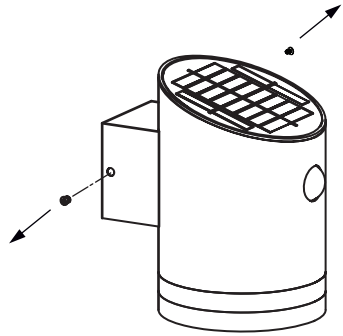
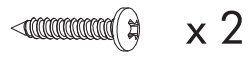
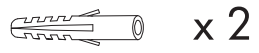


Ready after
36 h in the sun

BATTERY REPLACEMENT



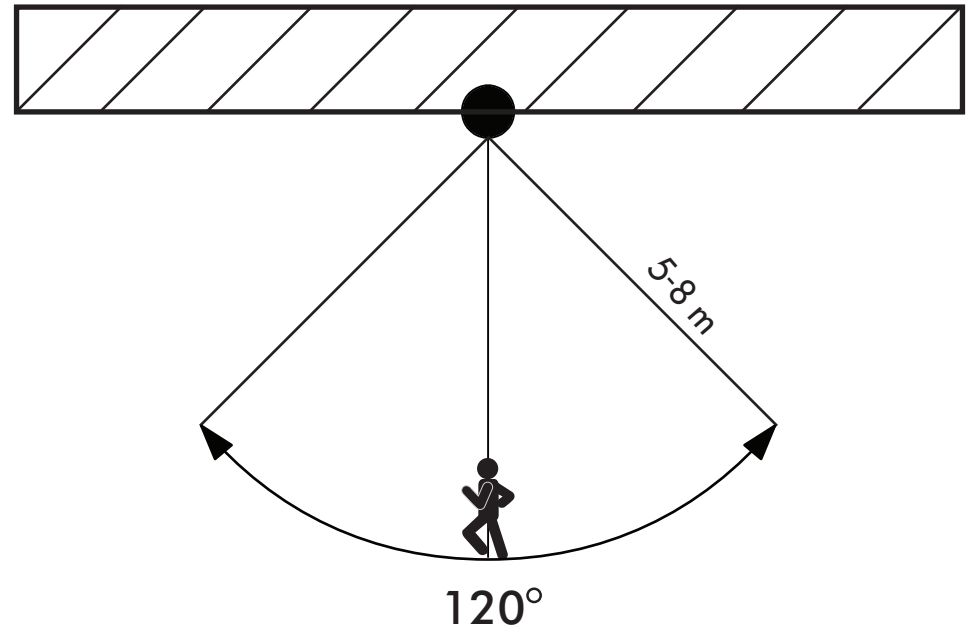
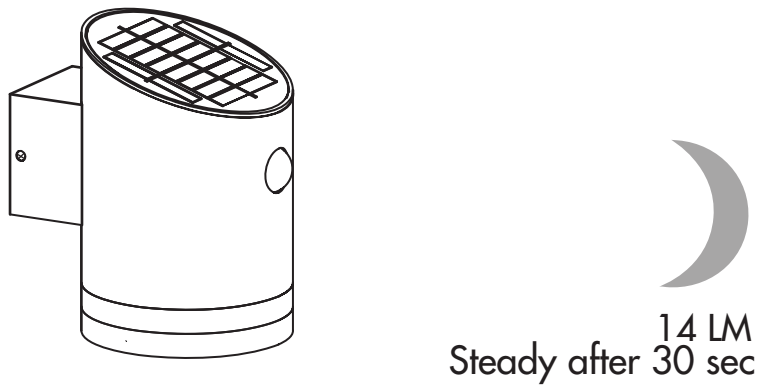
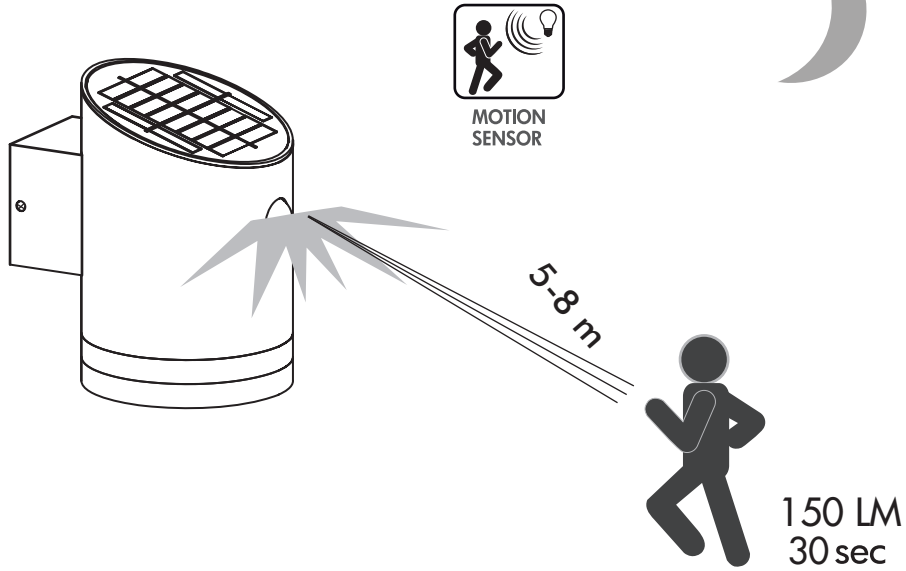
STAR[®]
TRADING
STAR STREET 1
512 50 SVENLJUNGA
SWEDEN
www.startrading.com



Art.no 481-98

14 LUMEN CONSTANT LIGHT

MOTION SENSOR 150 LUMEN FOR 30 SEK



STAR[®]
TRADING
STAR STREET 1
512 50 SVENLJUNGA
SWEDEN
www.startrading.com