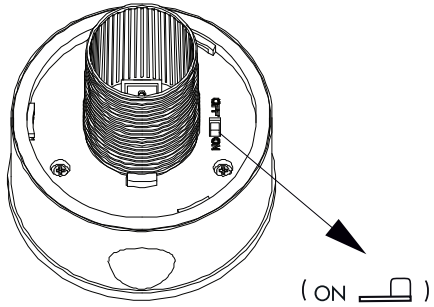


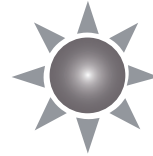
Art.no 481-88

FIRST USE

STEP 1.



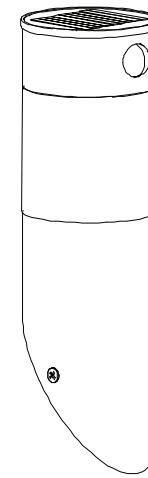
STEP 2.



( ON ⏻ )

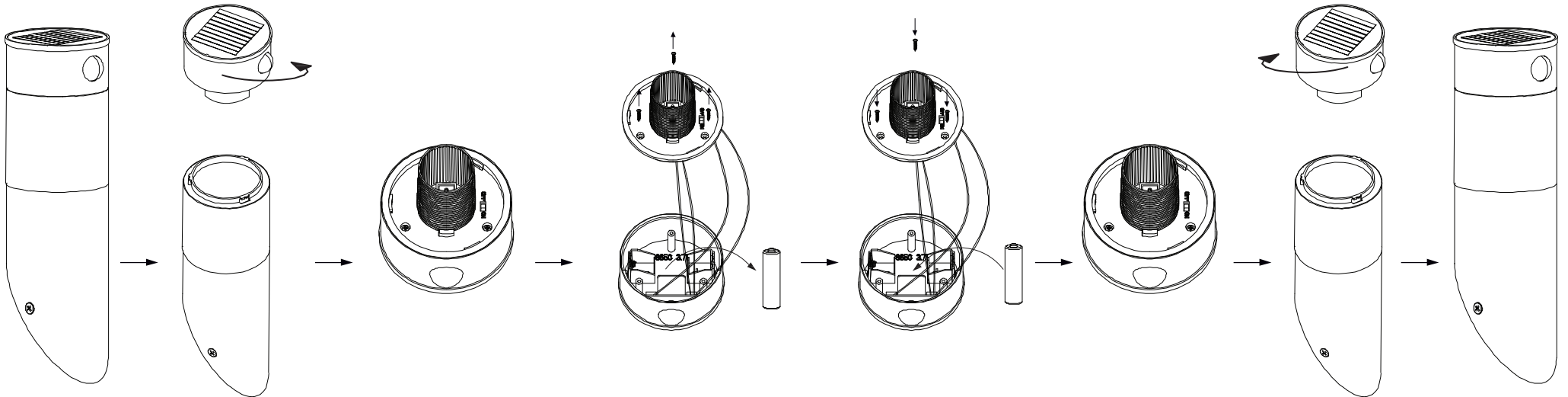


( OFF ⏻ )

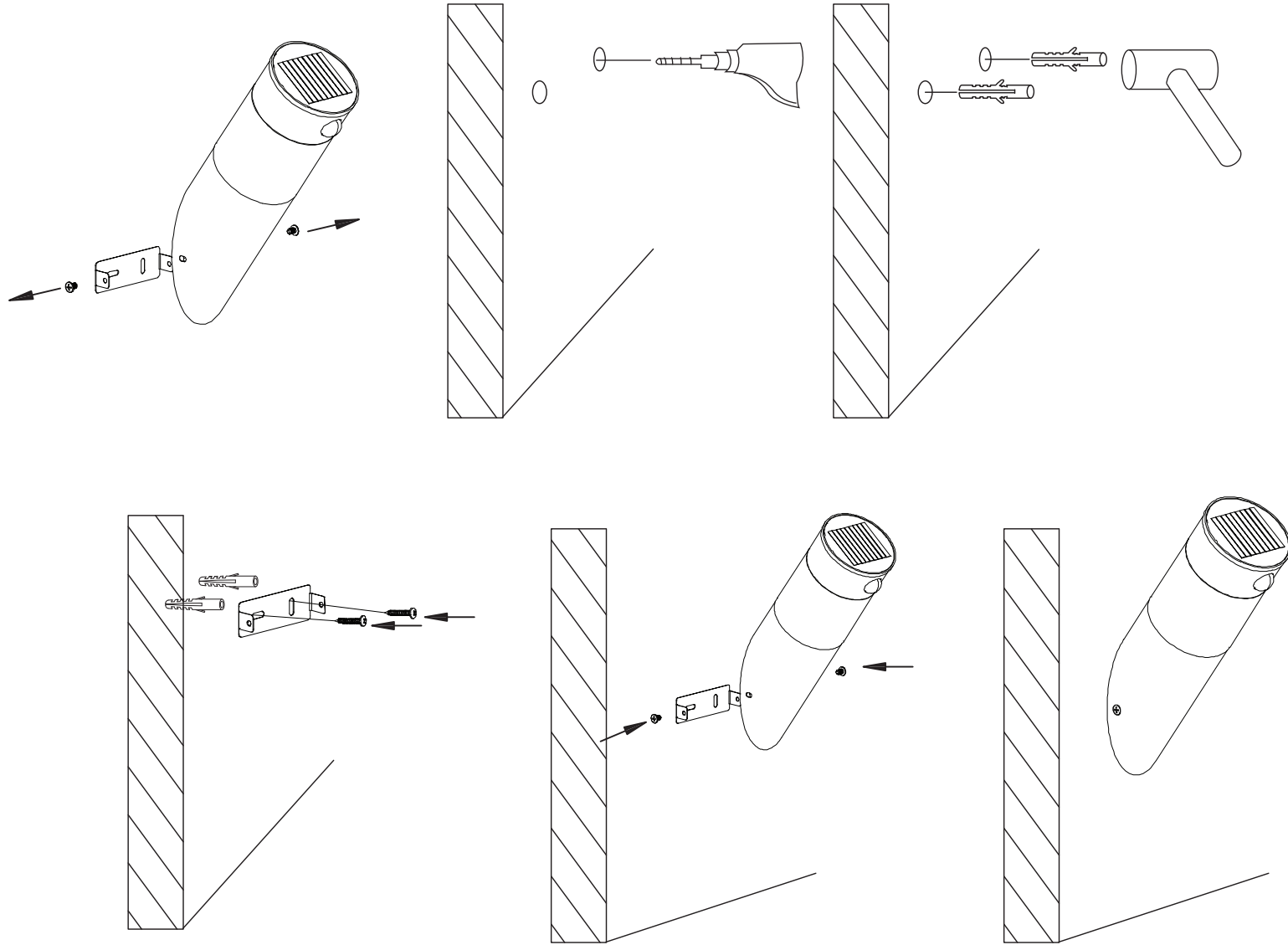
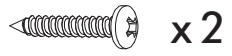
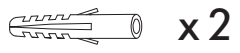


Ready after  
36 h in the sun

BATTERY REPLACEMENT



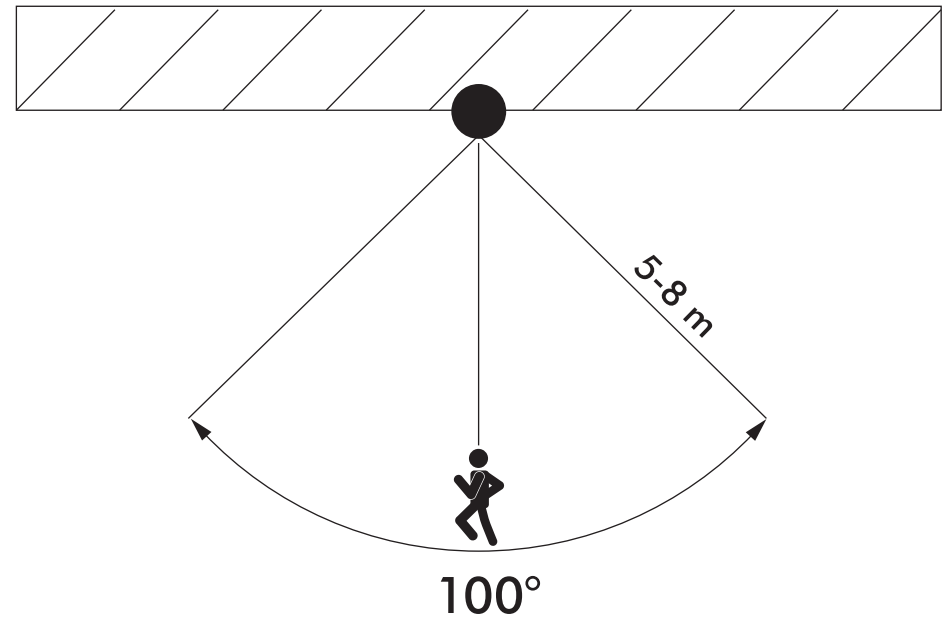
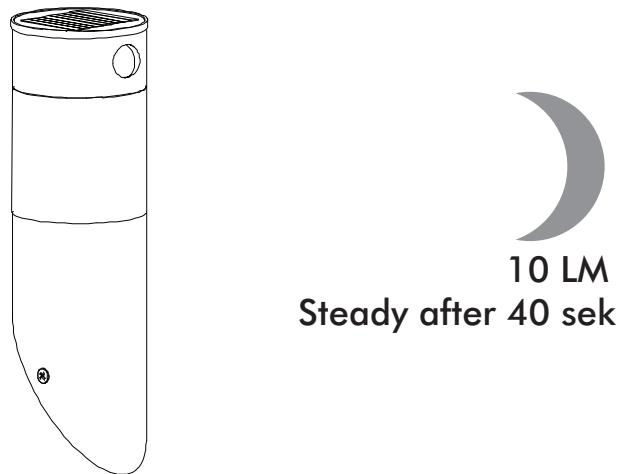
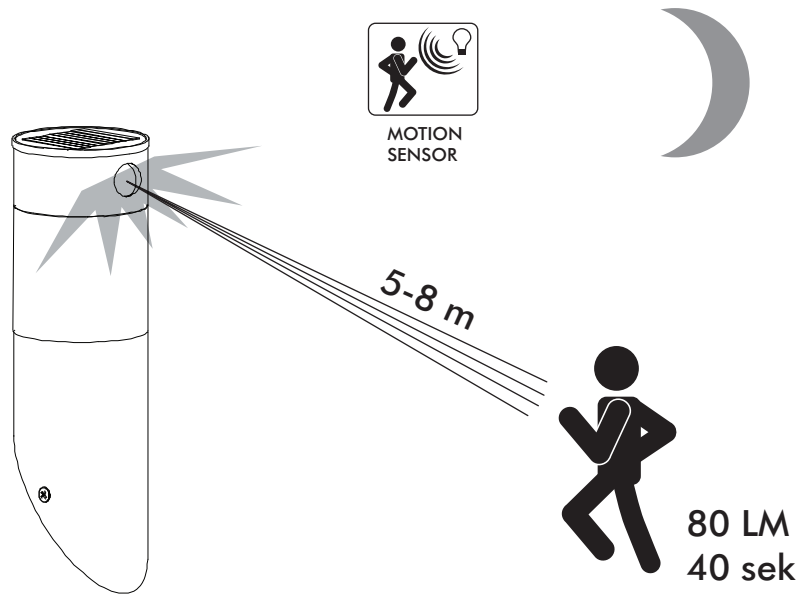
**STAR**<sup>®</sup>  
TRADING  
STAR STREET 1  
512 50 SVENLJUNGA  
SWEDEN  
[www.startrading.com](http://www.startrading.com)



**Art.no 481-88**

# 10 LUMEN CONSTANT LIGHT

MOTION SENSOR 80 LUMEN FOR 40 SEK



**STAR**<sup>®</sup>  
TRADING  
STAR STREET 1  
512 50 SVENLUNGA  
SWEDEN  
[www.startrading.com](http://www.startrading.com)