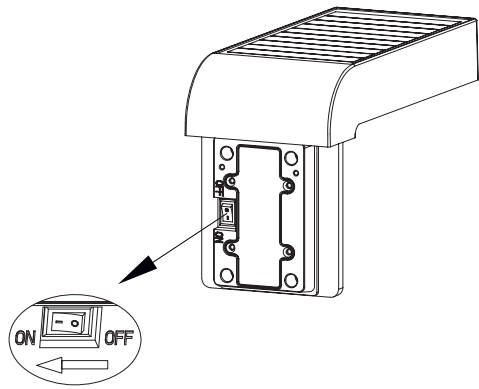


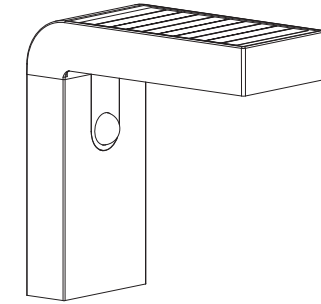
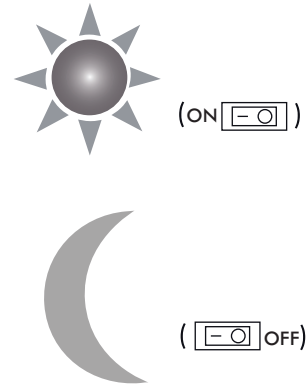
Art.no 481-12

FIRST USE

STEP 1.

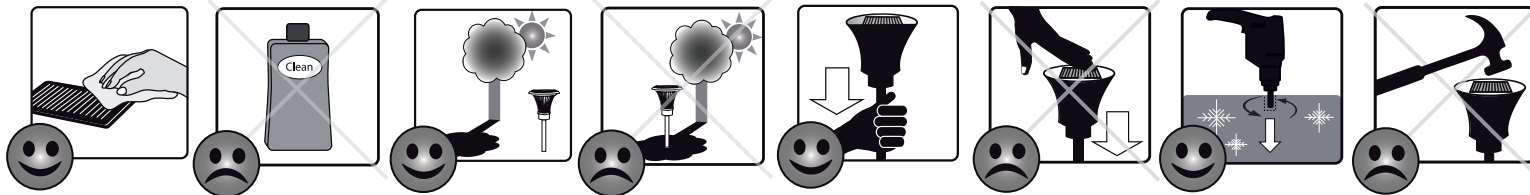
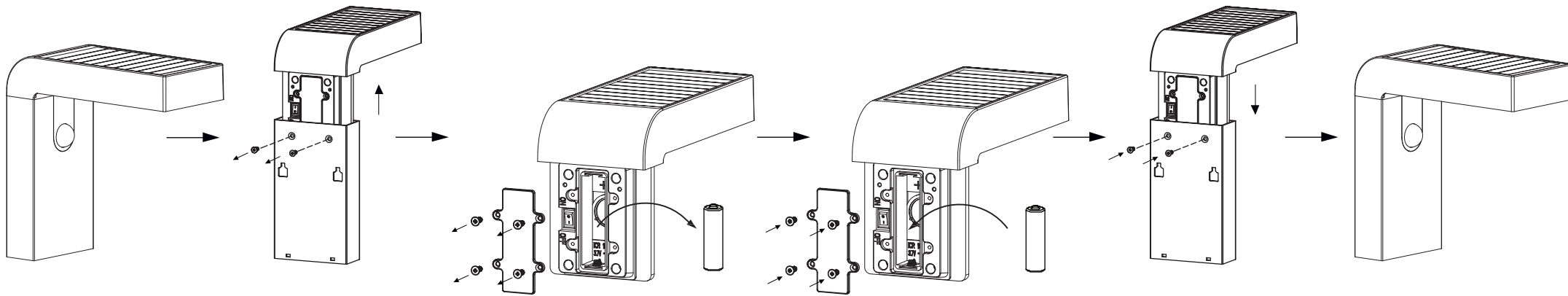


STEP 2.

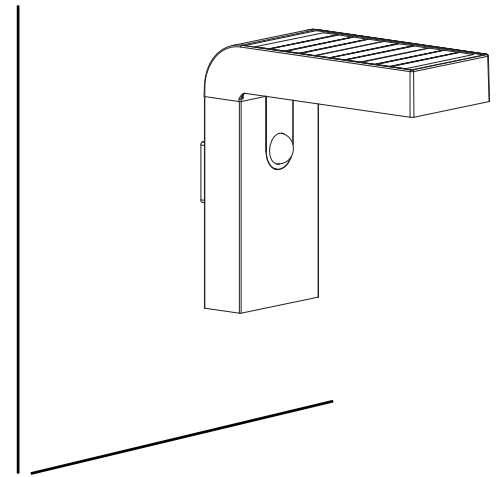
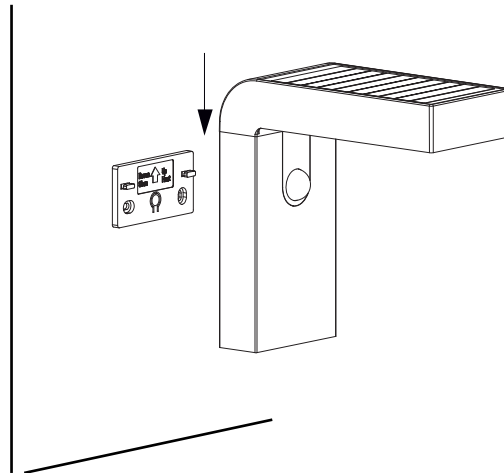
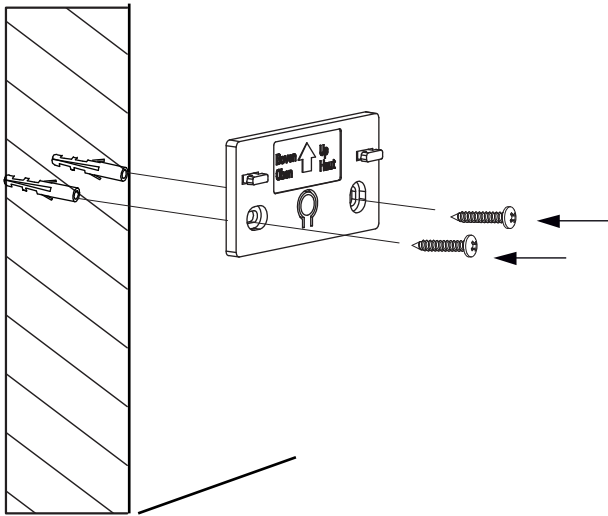
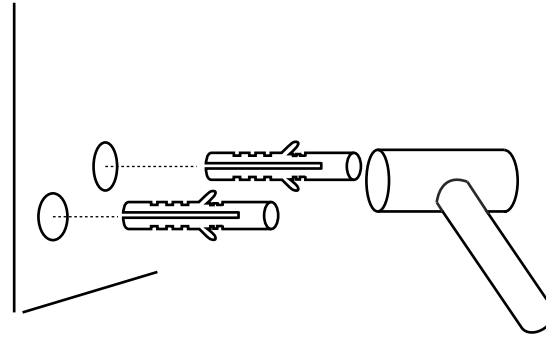
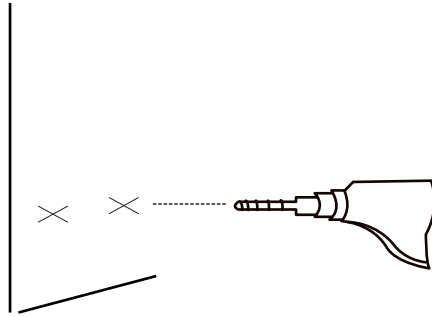
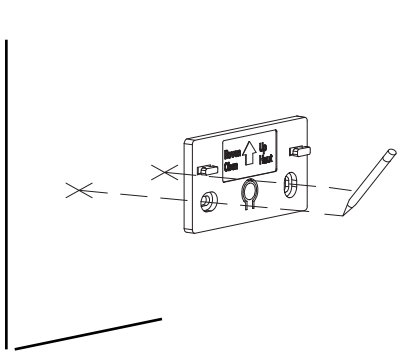
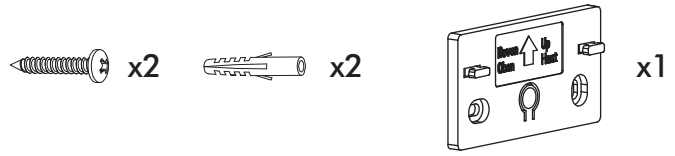


Ready after
36 h in the sun

BATTERY REPLACEMENT



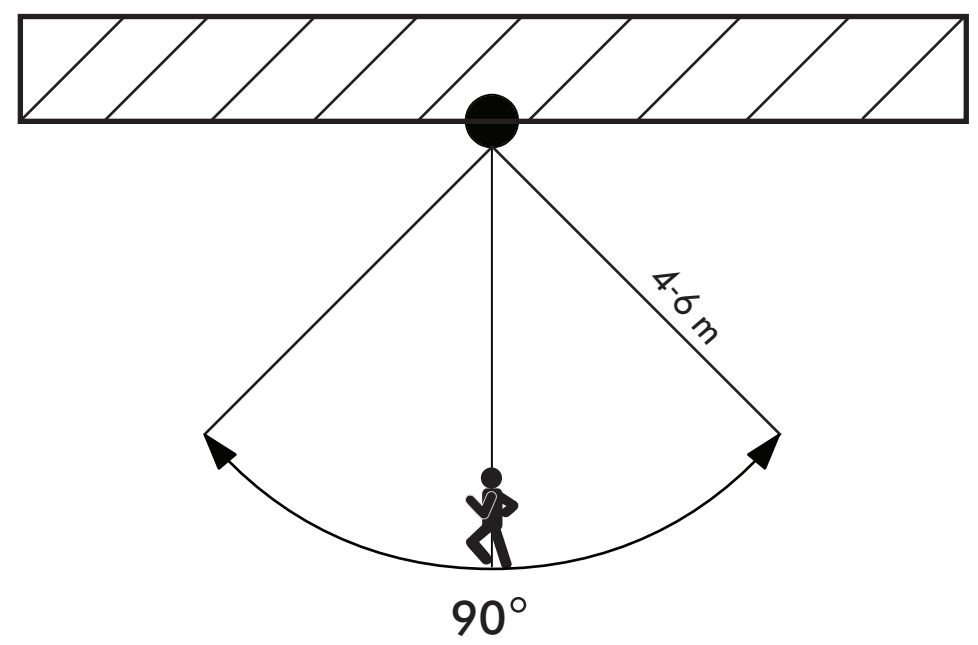
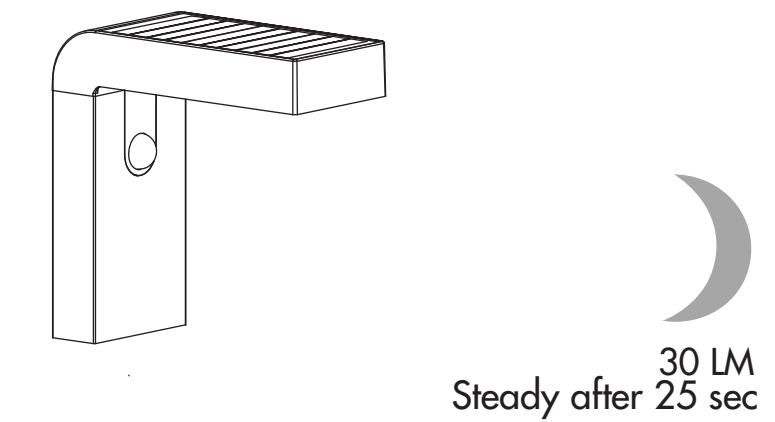
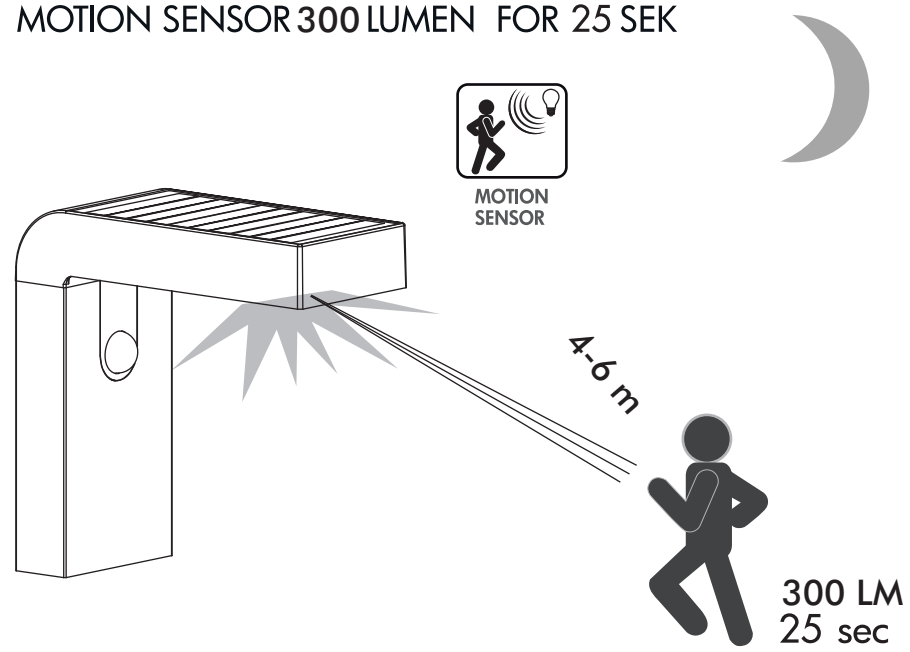
STAR[®]
TRADING
STAR STREET 1
512 50 SVENLJUNGA
SWEDEN
www.startrading.com



Art.no 481-12

30 LUMEN CONSTANT LIGHT

MOTION SENSOR 300 LUMEN FOR 25 SEK



STAR[®]
TRADING
STAR STREET 1
512 50 SVENLJUNGA
SWEDEN
www.startrading.com