

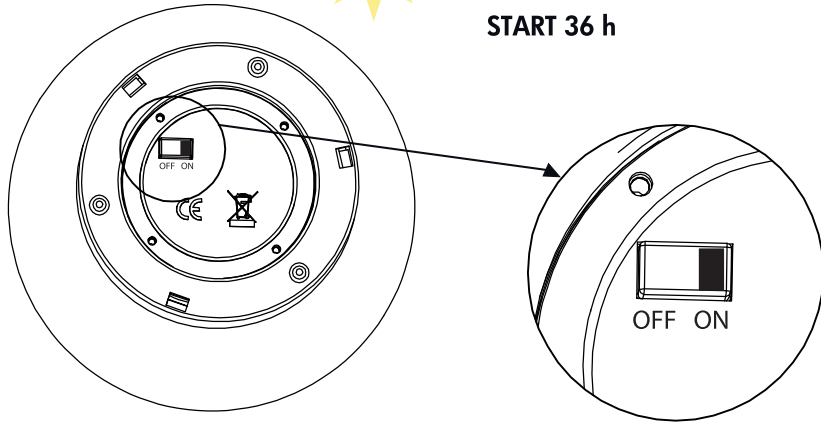
Art.no 480-40

FIRST USE

STEP 1.



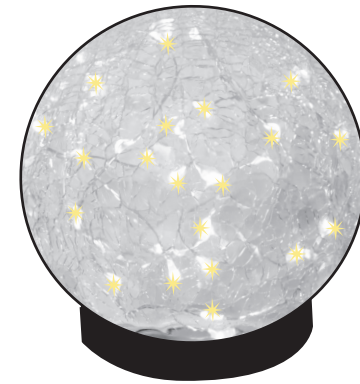
START 36 h



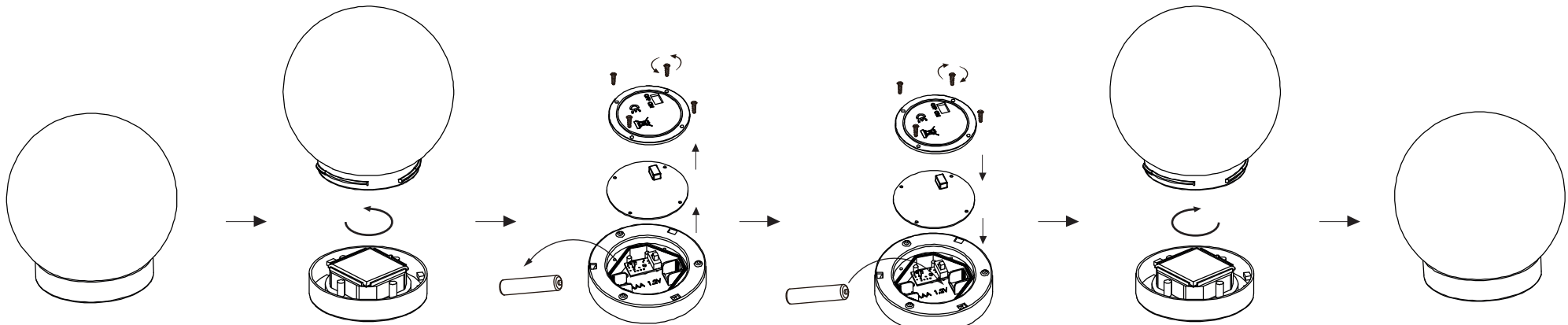
STEP 2.



Ready after
36 h in the sun



BATTERY REPLACEMENT



STAR[®]
TRADING

STAR STREET 1
512 50 SVENLJUNGA
SWEDEN
www.startrading.com