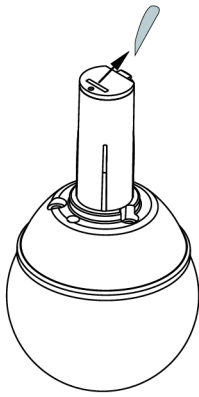


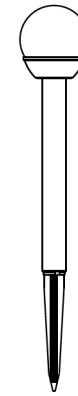
Art.no 480-85

FIRST USE

STEP 1.

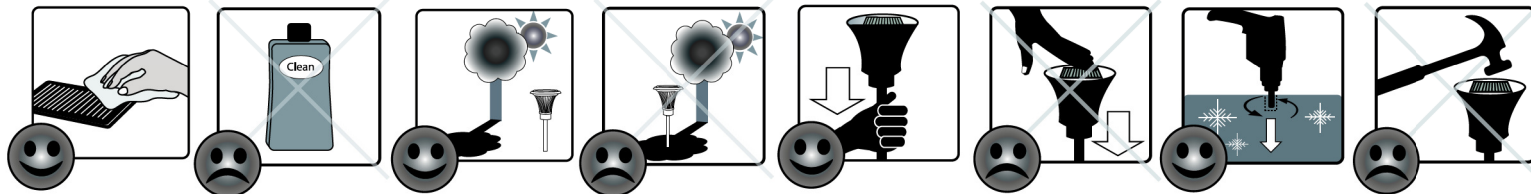
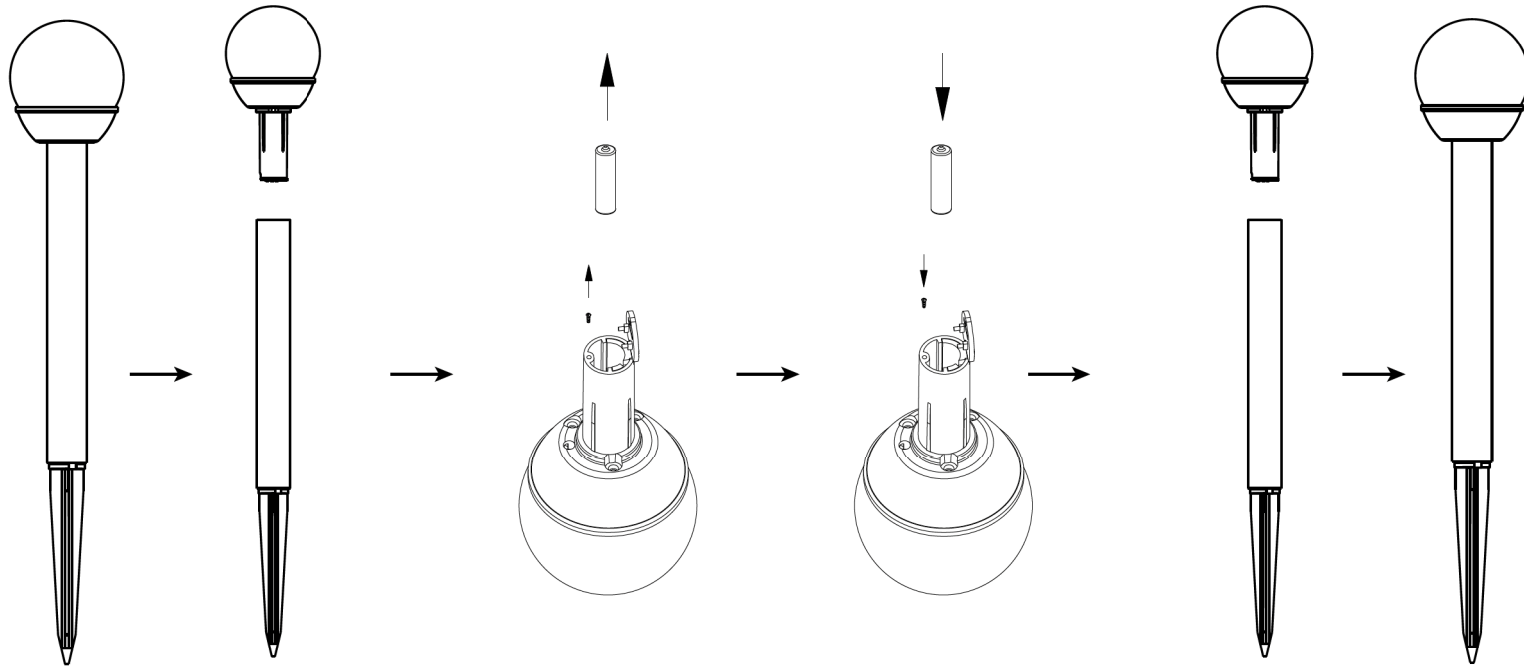


STEP 2.



Ready after
36 h in the sun

BATTERY REPLACEMENT



STAR
TRADING

STAR STREET 1
512 50 SVENLJUNGA
SWEDEN

www.startrading.com